

## Atomizing for Microencapsulating High & Low Viscosity Liquids Atomizing

Main Web Site: <http://www.mpi-ultrasonics.com>

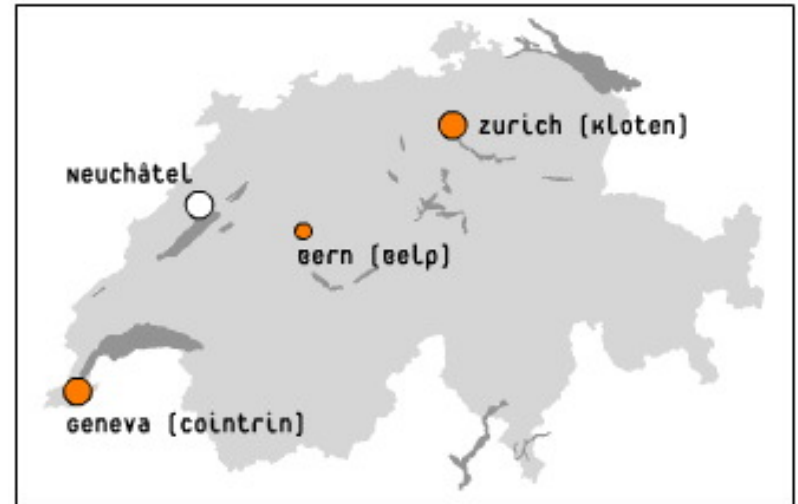
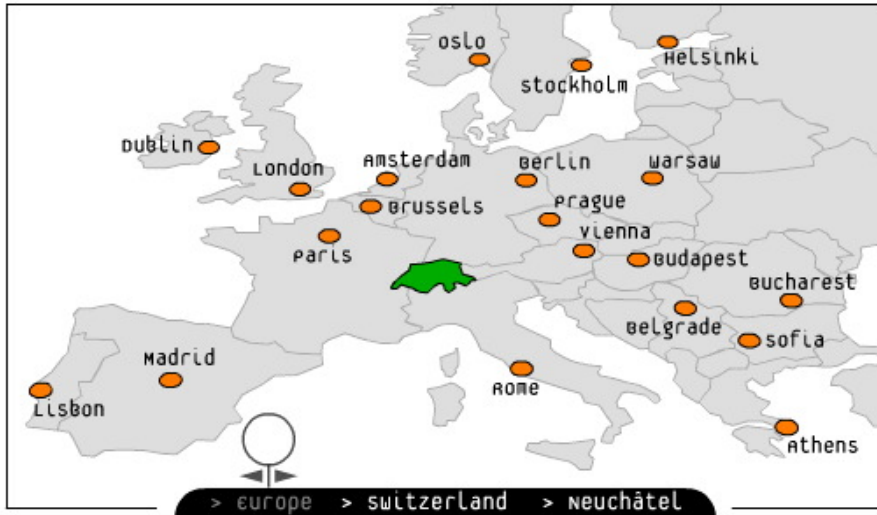
Download Server: <http://mastersonics.com>

Email: [mpi@mpi-ultrasonics.com](mailto:mpi@mpi-ultrasonics.com)



## Location:

### Neuchâtel, Le Locle, Switzerland



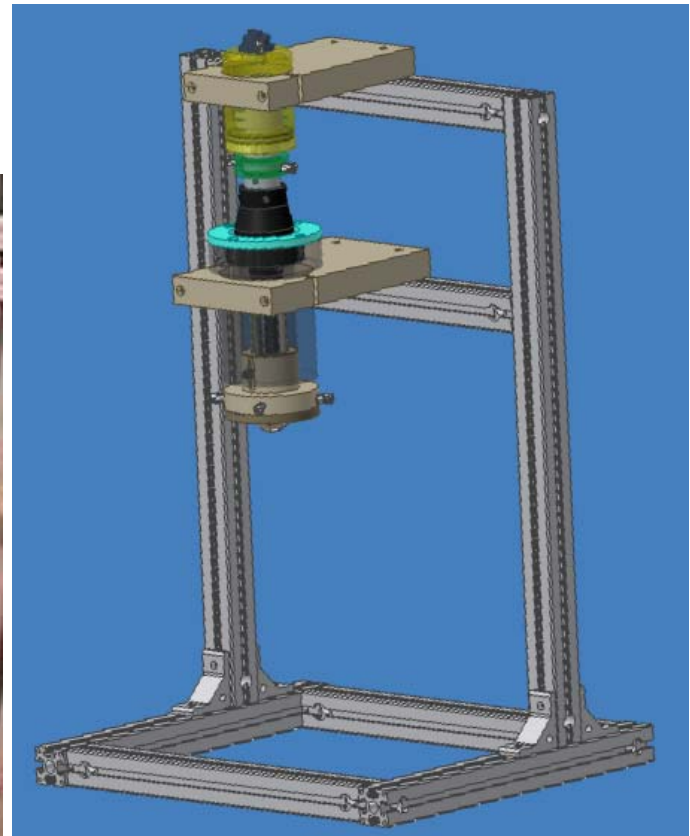
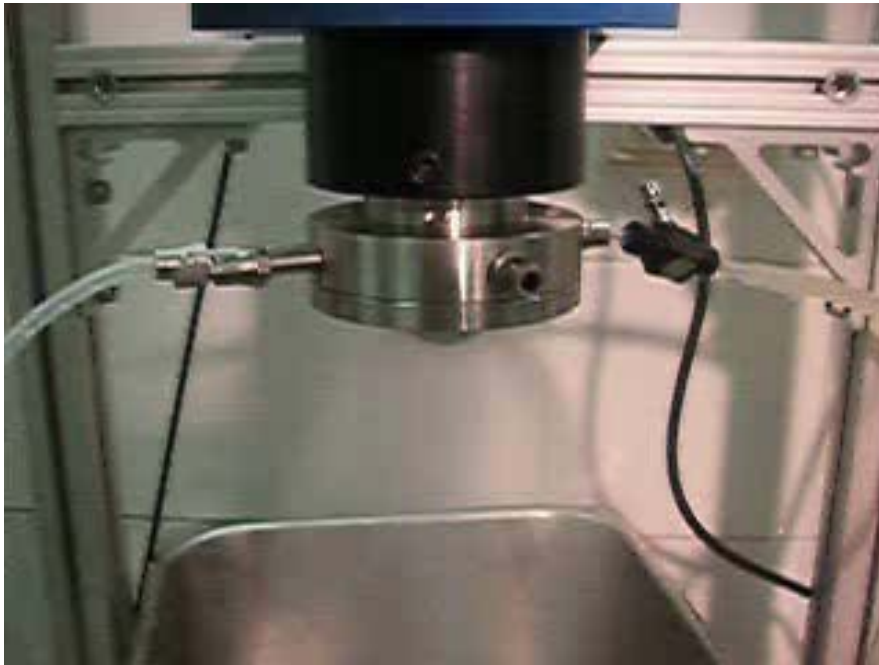
## MPI Heavy Duty Atomizing

- ❑ High and low temperature atomizing (until 300°C)
- ❑ Multiphase, multi-component liquid atomizing
- ❑ Uniform spray of spherical particles
- ❑ Continuous operating 24h/7d
- ❑ For pharmaceutical and food industry products
- ❑ For more information visit here:  
<http://www.mastersonics.com/documents/mpi-basics.pdf>



## MPI Atomizing in action - 1

Click and activate the movie file below



# MPI Atomizing in action - 2

Click and activate movie files

